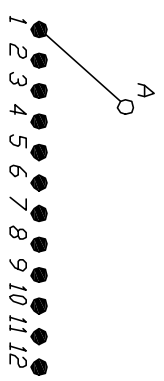
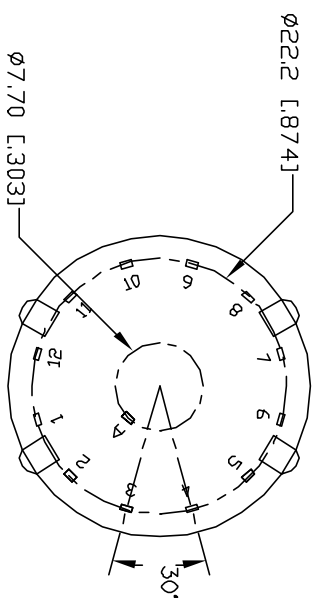
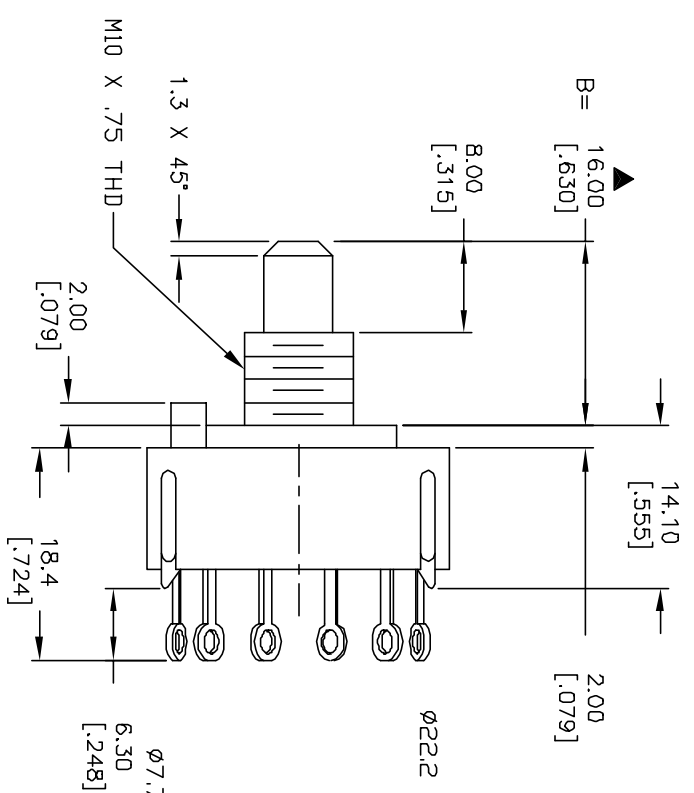
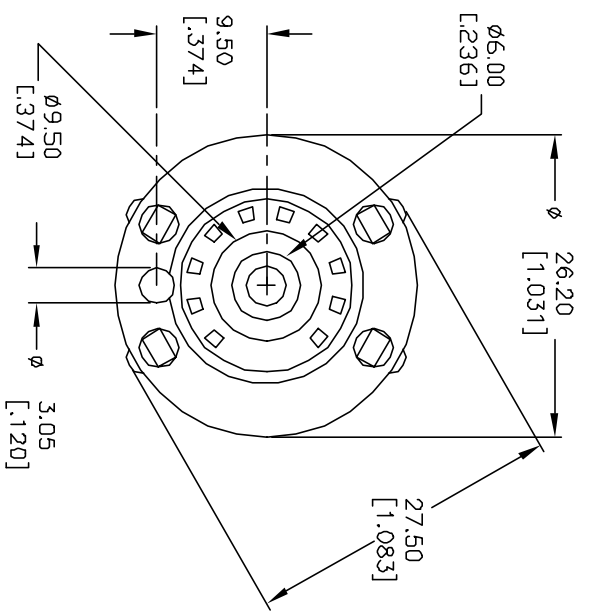
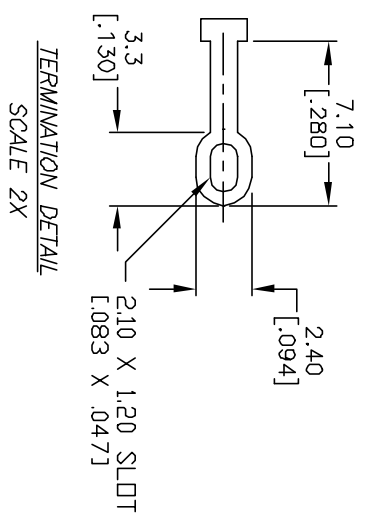


- NOTES:
1. ALL DIMENSION IN MM [INCH]
  2. GENERAL TOLERANCE: X.X=±0.4  
X.XX=±0.25
  3. TERM. NOS. FOR REF. ONLY
  4. CONTACT RATING SWITCHING: 150mA, 250V AC/DC  
350mA, 110V AC/DC
  5. CONTACT RATING (NON-SWITCHING) 5A
  6. OPERATING FORCE: 425±100 CM/STANDARD
  7. OPERATING TEMP: -30° to 85°C
  - ▲ 8. CIRCUIT SP: 12 POSITIONS, 30° INDEX.
  - ▲ 9. DIELECTRIC STRENGTH 1000V RMS min. @ SEA LEVEL
  - ▲ 10. DESIGNATE MAJOR DIMENSIONS
  - ▲ 11. LOCK NUT AND WASHER NOT SHOWN.



CONTACT CONFIGURATION  
(BBM)



**E-SWITCH®**

REV.		ECN No.	DESCRIPTION	DATE	CHKD	SCALE	DATE	DR	DWG	REV
A		11278	RELEASED FOR PRODUCTION	3/5/01	CJB	1.5:1	3/5/01	CJB	G510258	A
TITLE: KC-52-B-02-N-L-S (B=16) THE INFORMATION CONTAINED IN THIS DOCUMENT IS PROPRIETARY TO E-SWITCH AND IS NOT TO BE COPIED OR TRANSFERRED										